

Package Number	MA-MS-0465A
Package Name	Material Handling Davits (Topside)
Scope of Work (* To be confirmed)	<p>Scope of supply shall include, but is not limited to the system design, engineering, procurement, fabrication, manufacture, supply, testing, preservation, identification, documentation, packing and delivery to the relevant fabrication yards.</p> <p>The davits shall be technically and economically designed for safe use. The design shall meet the Class requirements, COMPANY operational requirements and CLIENT's expectations. Davits shall be designed for a service life of at least 25 years in an offshore marine environment.</p> <p>General SUPPLIER shall take into consideration the long service life for the equipment and shall ensure all items subject to corrective and/or preventing maintenance, are easily accessible. The equipment shall be designed for minimum downtime due to inspections and corrective and/or preventative maintenance. It must be possible to perform routine maintenance and service while the unit is in operation.</p> <p>All davits shall be suitable for the marine / offshore operation and certified by DNV Class. Davits shall be easy to operate, capable of safely handling the loads specified, use pneumatic air supply and provided with air filter regulators. Trolley winch is in the scope of COMPANY</p> <p>Human Factor Engineering The complete davit including access to the controls and other equipment by the operator should be in line with Human Factors Engineering applicable to Australian offshore operations</p> <p>Material of Construction For structural design, steel materials, fabrication, and inspection shall all be fully compliant to DNV class.</p> <p>Inspection and Testing Requirements SUPPLIER shall test the equipment, including all systems, and accepted by the COMPANY at the manufacturer's works. SUPPLIER shall perform in-house test after Mechanical Completion and prior to witness test. In addition to tests described in applicable regulations and standards, the package shall undergo a mechanical run test fully assembled. Test procedures, tolerances and acceptance criteria shall be in accordance with the regulations and relevant national and international standards. Each test shall be executed in accordance with a test procedure, which shall be approved by COMPANY. All tests shall be recorded and documented. SUPPLIER shall comply to all the Quality and Inspection requirements, Mechanical Completion & Commissioning activities as per Specifications. SUPPLIER shall use COMPANY Mechanical Completion Records. for the Mechanical Completion of the tagged items within the package. SUPPLIER shall comply with the FAT requirements as described in the Completion and Commissioning Manual.</p> <p>Factory Acceptance Test FAT shall be performed prior to any item(s) being released for shipment. The purpose of the FAT is to ensure that the equipment tested conform to all technical requirements specified for the equipment. All components shall be fitted during test.</p> <p>Estimated contract award: Q2 2023 * Estimated delivery: Q3 2023 FCA factory *</p>

List of Topside Davits:



Topside%20Davit%
20List%20to%20Sup

List is also provided as an appendix.

Project Registration

Santos is committed to ensuring Australian Industry the opportunity to participate in the Barossa Project. Expressions of Interest are invited from contractors and suppliers with the relevant capability and capacity to undertake the scope of work.

This is a request for specific expressions of interest. Contractors and suppliers will be considered for prequalification and tender if suitably qualified against this package.

Note that an important part of the project registration process is to register an Expression of Interest at the correct Scope level.

Scope level definition:

Full scope: Able to produce / supply all the package.

Partial scope: Able to produce / supply one or more of the sub-packages.

All registrations are to be completed via ICN Gateway BarossaOffshore.icn.org.au. Please contact the ICNNT if registration assistance is required. Contact details: (08) 8922 9422 [or resources@icnnt.org.au](mailto:resources@icnnt.org.au).

Project Website: Santos Australia

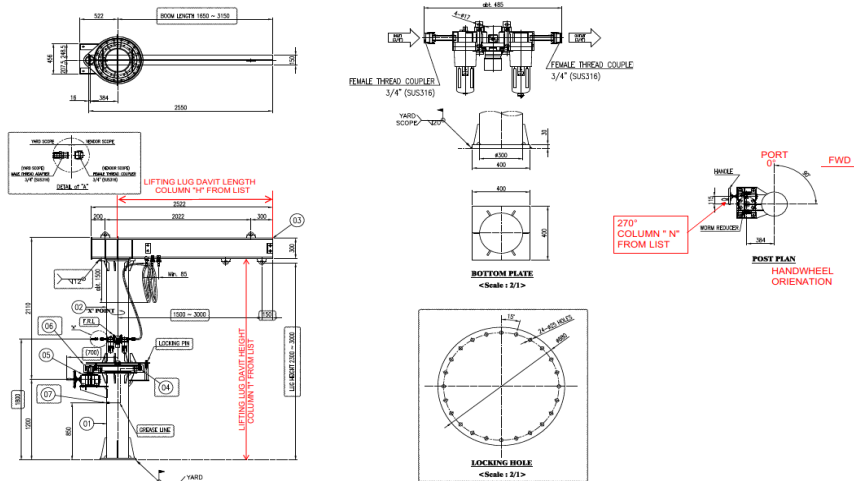
TOPSIDE DAVIT LIST

Date : 7 FEB 2023

S.No	Module / Area	Tag No	Service / Description	Driver type	Capacity (Tonnes)	Lifting lug Length Davit (Refer Note-3)	Lifting lug Height Davit (Refer Note-3)	Hook travel (Refer Note -1)	Available deck space for Davit Support	Maker Reply Available deck space for Davit Support	Installation	Handwheel Orientation (Refer Note -2)	Davit Arm Parking Orientation (Refer Note -2)
1	M11	73-MS-3501	DAVIT FOR FROM 42000 TO 37000	Pneumatic	2	2500	2500	Hook travel 5000 mm	450 X 450	400 X 400	welded type bottom support	0°	180°
2	M11	73-MS-3502	DAVIT FOR FROM 47000 TO 37000	Pneumatic	2	2300	2300	Hook travel 10000 mm	450 X 450	400 X 400	welded type bottom support	0°	180°
3	M11	73-MS-3503	DAVIT FOR FROM 54000 TO 37000	Pneumatic	2	2500	2500	Hook travel 17000 mm	450 X 450	400 X 400	welded type bottom support	0°	180°
4	M11	73-MS-3504	DAVIT FOR FROM 60000 TO 37000	Pneumatic	2	2500	3000	Hook travel 23000 mm	450 X 450	400 X 400	welded type bottom support	180°	90°
5	M30	73-MS-3505	DAVIT FOR FROM 42500 TO 37000	Pneumatic	5	2000	2500	Hook travel 5500 mm	500 X 500	450 X 450	welded type bottom support	180°	0°
6	M30	73-MS-3506	DAVIT FOR FROM 47500 TO 37000	Pneumatic	5	2000	2500	Hook travel 10500 mm	800 X 800	750 X 750	welded type bottom support	180°	0°
7	M30	73-MS-3508	DAVIT FOR FROM 57500 TO 37000	Pneumatic	5	2500	3000	Hook travel 5000 mm	800 X 800	750 X 750	welded type bottom support	0°	90°
8	M61	73-MS-3512	DAVIT FOR FROM 54500 TO 47500	Pneumatic	7	2500	3000	Hook travel 7000 mm	800 X 800	750 X 750	welded type bottom support	180°	0°
9	M61	73-MS-3513	DAVIT FOR FROM 61500 TO 54500	Pneumatic	3	2500	3000	Hook travel 7000 mm	450 X 450	400 X 400	welded type bottom support	0°	180°
10	M62	73-MS-3514	DAVIT FOR FROM 49500 TO 37000	Pneumatic	3	2500	2500	Hook travel 12500 mm	500 X 500	450 X 450	welded type bottom support	180°	0°
11	M62	73-MS-3515	DAVIT FOR FROM 56500 TO 37000	Pneumatic	1	2500	2500	Hook travel 19500 mm	450 X 450	400 X 400	welded type bottom support	180°	0°
12	M62	73-MS-3516	DAVIT FOR FROM 62500 TO 56500	Pneumatic	5	2500	3000	Hook travel 6000 mm	800 X 800	750 X 750	welded type bottom support	90°	0°
13	M62	73-MS-3541	DAVIT FOR FROM 42000 TO 37000	Pneumatic	1	2000	2500	Hook travel 5000 mm	450 X 450	400 X 400	welded type bottom support	90°	180°
14	M62	73-MS-3561	DAVIT FOR FROM 68000 TO 56500	Pneumatic	3	2500	3000	Hook travel 11500 mm	500 X 500	450 X 450	welded type bottom support	180°	0°
15	M62	73-MS-3542	DAVIT FOR FROM 73500 TO 68000	Pneumatic	1	2500	3000	Hook travel 5500 mm	450 X 450	400 X 400	welded type bottom support	90°	270°
16	M64	73-MS-3519	DAVIT FOR FROM 47000 TO 37000	Pneumatic	7	3000	4200	Hook travel 10000 mm	800 X 800	750 X 750	welded type bottom support	270°	0°
17	M64	73-MS-3520	DAVIT FOR FROM 54000 TO 37000	Pneumatic	7	3000	5200	Hook travel 17000 mm	800 X 800	750 X 750	welded type bottom support	270°	0°
18	M64	73-MS-3521	DAVIT FOR FROM 61000 TO 54000	Pneumatic	1	2500	3000	Hook travel 7000 mm	450 X 450	400 X 400	welded type bottom support	210°	0°
19	M65	73-MS-3522	DAVIT FOR FROM 48200 TO 47000	Pneumatic	3	2000	2500	Hook travel 11200 mm	500 X 500	450 X 450	welded type bottom support	135°	90°
20	M65	73-MS-3523	DAVIT FOR FROM 59400 TO 37000	Pneumatic	5	2000	3000	Hook travel 23400 mm	800 X 800	750 X 750	welded type bottom support	0°	180°
21	M70	73-MS-3524	DAVIT FOR FROM 40685 TO 37000	Pneumatic	3	2000	2500	Hook travel 3685 mm	500 X 500	450 X 450	welded type bottom support	15°	180°
22	M70	73-MS-3525	DAVIT FOR FROM 50250 TO 37000	Pneumatic	7	2300	3000	Hook travel 13250 mm	800 X 800	750 X 750	welded type bottom support	15°	180°
23	M70	73-MS-3526	DAVIT FOR FROM 58000 TO 37000	Pneumatic	2	2000	2500	Hook travel 21000 mm	450 X 450	400 X 400	welded type bottom support	0°	180°
24	M70	73-MS-3527	DAVIT FOR FROM 73900 TO 58000	Pneumatic	2	2000	2500	Hook travel 15900 mm	450 X 450	400 X 400	welded type bottom support	180°	270°
25	M70	73-MS-3528	DAVIT FOR FROM 70290 TO 58000	Pneumatic	2	2000	2500	Hook travel 12290 mm	450 X 450	400 X 400	welded type bottom support	180°	270°
26	M71	73-MS-3529	DAVIT FOR FROM 56500 TO 47500	Pneumatic	2	2000	2500	Hook travel 9000 mm	450 X 450	400 X 400	welded type bottom support	0°	180°
27	M71	73-MS-3530	DAVIT FOR FROM 52000 TO 47500	Pneumatic	2	2000	2500	Hook travel 4500 mm	450 X 450	400 X 400	welded type bottom support	0°	180°
28	M71	73-MS-3531	DAVIT FOR FROM 41000 TO 37000	Pneumatic	1	2000	2500	Hook travel 4000 mm	450 X 450	400 X 400	welded type bottom support	0°	270°
29	M71	73-MS-3532	DAVIT FOR FROM 47500 TO 37000	Pneumatic	2	2000	2500	Hook travel 10500 mm	450 X 450	400 X 400	welded type bottom support	180°	0°
30	M90	73-MS-3533	DAVIT FOR FROM 42000 TO 37000	Pneumatic	1	2000	2500	Hook travel 5000 mm	450 X 450	400 X 400	welded type bottom support	315°	90°
31	M90	73-MS-3534	DAVIT FOR FROM 60600 TO 56300	Pneumatic	1	2000	2500	Hook travel 4300 mm	450 X 450	400 X 400	welded type bottom support	180°	270°
32	M91	73-MS-3537	DAVIT FOR FROM 47000 TO 37000	Pneumatic	1	2000	2500	Hook travel 10000 mm	450 X 450	400 X 400	welded type bottom support	0°	180°
33	M91	73-MS-3538	DAVIT FOR FROM 56300 TO 37000	Pneumatic	1	2000	2500	Hook travel 19300 mm	450 X 450	400 X 400	welded type bottom support	0°	180°
34	M91	73-MS-3539	DAVIT FOR FROM 51650 TO 37000	Pneumatic	1	2000	2500	Hook travel 14650 mm	450 X 450	400 X 400	welded type bottom support	0°	180°
35	M92	73-MS-3540	DAVIT FOR FROM 43000 TO 37000	Pneumatic	1	2000	2500	Hook travel 6000 mm	450 X 450	400 X 400	welded type bottom support	0°	180°
36	M65	73-MS-3544	DAVIT FOR FROM 70600 TO 59400	Pneumatic	5	2000	4500	Hook travel 11200 mm	800 X 800	750 X 750	welded type bottom support	270°	180°
37	M11	73-MS-3545	DAVIT FOR FROM 65000 TO 60000	Pneumatic	2	2500	3000	Hook travel 5000 mm	450 X 450	400 X 400	welded type bottom support	90°	180°
38	M10	73-MS-3547	DAVIT FOR FROM 47500 TO 37000	Pneumatic	2	2500	3000	Hook travel 10500 mm	450 X 450	400 X 400	welded type bottom support	340°	180°
39	M10	73-MS-3548	DAVIT FOR FROM 75449 TO 37000	Pneumatic	1	2500	3000	Hook travel 5449 mm	450 X 450	400 X 400	welded type bottom support	190°	0°
40	M63	73-MS-3549	DAVIT FOR FROM 65000 TO 70000	Pneumatic	3	2500	3000	Hook travel 28000 mm	500 X 500	450 X 450	welded type bottom support	0°	180°
41	M90	73-MS-3551	DAVIT FOR FROM 51650 TO 47000	Pneumatic	2	2000	2500	Hook travel 4650 mm	450 X 450	400 X 400	welded type bottom support	270°	180°
42	M90	73-MS-3552	DAVIT FOR FROM 56300 TO 47000	Pneumatic	2	2000	2500	Hook travel 9300 mm	450 X 450	400 X 400	welded type bottom support	180°	270°
43	M90	73-MS-3553	DAVIT FOR FROM 47000 TO 37000	Pneumatic	2	2000	2500	Hook travel 10000 mm	450 X 450	400 X 400	welded type bottom support	180°	0°
44	M90	73-MS-3562	DAVIT FOR FROM 66000 TO 56300	Pneumatic	1	2000	2500	Hook travel 9700 mm	450 X 450	400 X 400	welded type bottom support	270°	180°
45	M91	73-MS-3554	DAVIT FOR FROM 60600 TO 56300	Pneumatic	2	2000	2500	Hook travel 4300 mm	450 X 450	400 X 400	welded type bottom support	0°	180°
46	M10	73-MS-3556	DAVIT FOR FROM 56000 TO 37000	Pneumatic	3	2500	3000	Hook travel 19000 mm	525 X 550	450 X 450	welded type bottom support	340°	180°
47	M10	73-MS-3557	DAVIT FOR FROM 63000 TO 37000	Pneumatic	3	2500	3000	Hook travel 26000 mm	525 X 550	450 X 450	welded type bottom support	340°	180°
48	M71	73-MS-3558	DAVIT FOR FROM 66000 TO 47500	Pneumatic	2	2000	2500	Hook travel 18500 mm	450 X 450	400 X 400	welded type bottom support	0°	180°

Notes:

1. HOOK TRAVEL LENGTH MENTIONED IS THE DIFFERENCE IN DECK LEVELS. VENDOR TO EVALUATE AND PROVIDE ACTUAL LENGTH
2. REFER SKETCH BELOW FOR HANDWHEEL AND DAVIT ARM PARKING ORIENTATION, VENDOR TO UPDATE AND PROVIDE INDIVIDUAL DAVIT DRAWING ACCORDINGLY
3. REFER SKETCH BELOW FOR LIFTING LUG LENGTH DAVIT AND LIFTING LUG HEIGHT DAVIT, VENDOR TO UPDATE AND PROVIDE INDIVIDUAL DAVIT DRAWING ACCORDINGLY
4. LOCATION OF LIFTING LUG WILL BE FINALISED AFTER RECEIPT OF VENDOR DRAWING



TOPSIDE MATERIAL HANDLING DAVIT LIST

Topside davits MTD

S.No	Module / Area	Tag No	Service / Description	Driver type	Capacity (Tonnes)	Lifting lug Length Davit (Refer Note -3)	Lifting lug Height Davit (Refer Note -3)	Hook travel (Refer Note -1)	Available deck space for Davit Support	Maker Reply Available deck space for Davit Support	Installation	Handwheel Orientation (Refer Note -2)	Davit Arm Parking Orientation (Refer Note -2)
------	---------------	--------	-----------------------	-------------	-------------------	---	---	--------------------------------	---	--	--------------	---	--