

MARDIE SALT AND POTASH PROJECT

EXPRESSION OF INTEREST

Project Overview:

The proposed Mardie Salt & Potash Project (**Project**) is located within Australia’s major salt producing region on the West Pilbara coast. The Project is proposing to be Australia’s first to produce salt and Sulphate of Potash (**SOP**) through the evaporation of seawater.

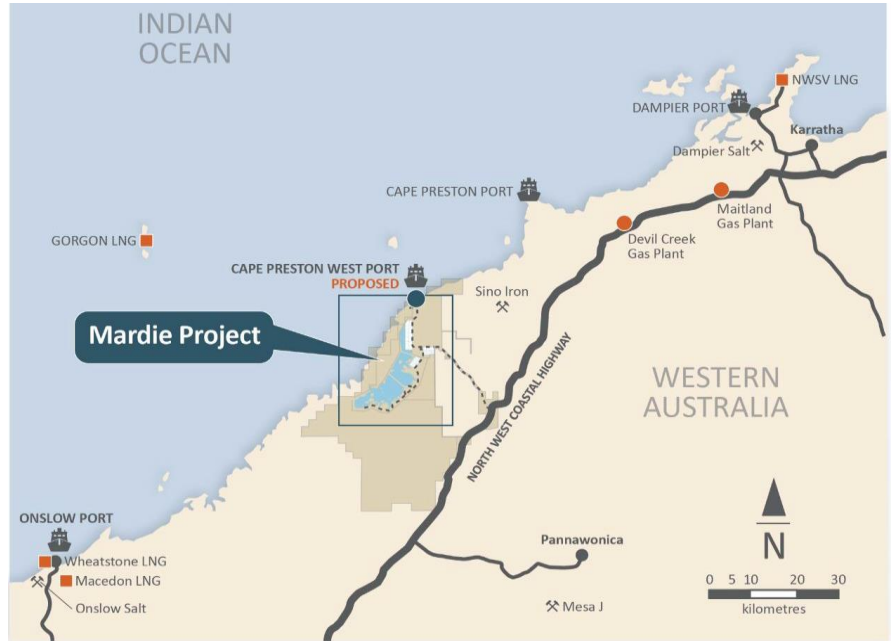


Figure 1 – Project Location

Package Title:

Emergency Response Vessel and Davit

Package Reference:

MAR-150

Package Description:

The Scope of Work covers to provision of labour, plant and equipment, materials, management, supervision, and other things necessary to carry out the design and construct of an emergency response vessel and davit.

Specific Scope Requirements:

Contractors wishing to be considered must be able to demonstrate their ability to meet the following scope requirements:

- design, construct, fit out and commission a 9m long Class 2C catamaran style emergency response vessel; and
- design, fabricate and assist with commissioning of a davit system to store, launch and retrieve the emergency response vessel.

The Contractor must be able to ensure compliance with all relevant legislation, Codes of Practice, Australian Standards, and Company standards applicable to the scope of works.

Figure 2 indicates the proposed vessel and davit with the vessel stored and during deployment through the Site tide range.

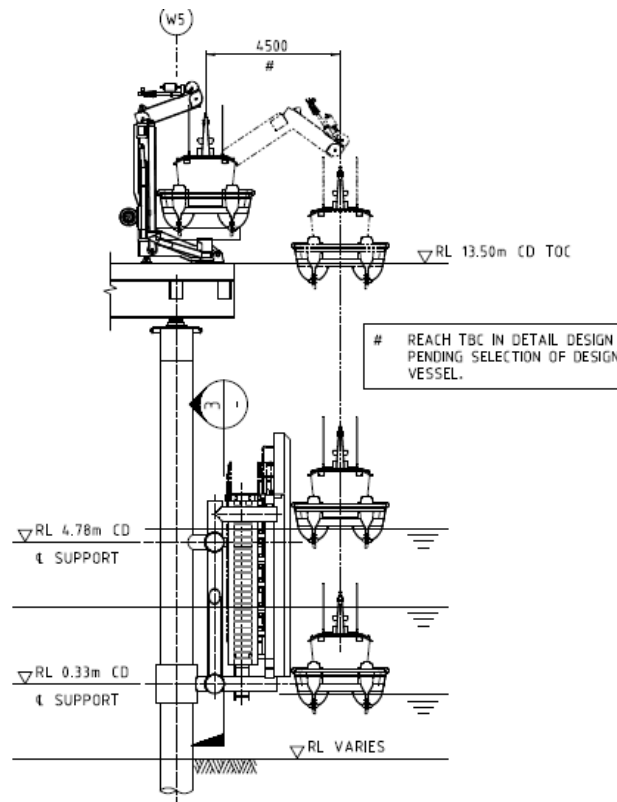


Figure 2 – Proposed vessel and davit

Exclusions from the Scope of Works:

Nil

Contracting Strategy:

The works will be “Design and Construct” contract with a Company provided commercial terms and will be undertaken in two (2) parts:

- Part 1 - Design, construct, fit out and sea trial of the vessel; and
- Part 2 - Design, fabricate and assist with commissioning for the davit.

Forecast Award Date:

Q4 2021

Forecast Construction Commencement Date:

Q2 2022

Generic Pre-Qualification Requirements:

Contractor is required to demonstrate similar scale and complexity of works successfully performed for the stated scope and be willing to provide past project references (and if necessary, site visits to past projects) to establish market capability to carry out the works.

Expression of Interest:

Contractors are invited to express an interest in this scope of work by registering on the ICN Gateway online platform.

Please ensure:

- Company profile on ICN Gateway is complete, up-to-date and accurate; and
- Interest is registered as full-scope or partial-scope supplier (where applicable).

Disclaimer:

This package description and target award date is indicative only and subject to change. It is intended to provide a brief outline only of certain works that may be required for proposed BCI Minerals Project and should be read in conjunction with the BCI Minerals Project description on ICN Gateway. Full scopes of work will be made available to parties invited to tender. There is no undertaking to contract or proceed to a competitive process implied by this form. Further contact with interested suppliers will be at BCI Minerals discretion.