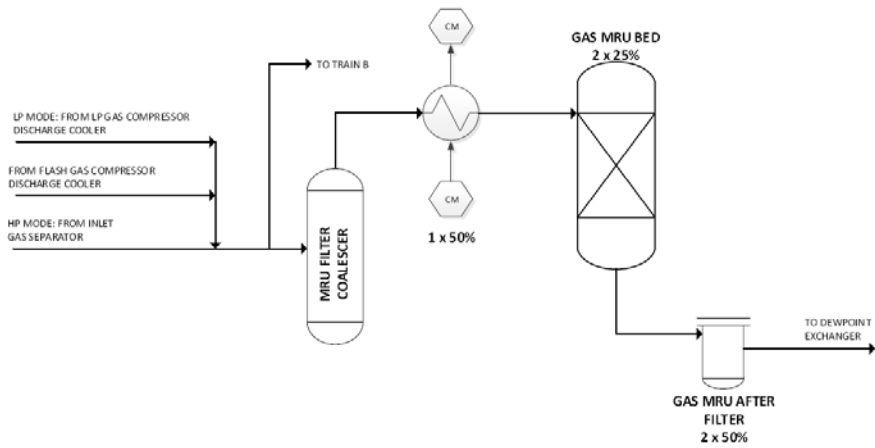




## Barossa Offshore Project





## Project Registration

ConocoPhillips is committed to ensuring Australian Industry full, fair and reasonable opportunity to participate in the Barossa Offshore Project. Expressions of Interest are invited from contractors and suppliers with the relevant capability and capacity to undertake the scope of work.

This is a request for specific expressions of interest. Contractors and suppliers will be considered for prequalification and tender if suitably qualified against this package.

**Note** that an important part of the project registration process is to register an Expression of Interest at the correct Scope level.

Scope level definition:

**Full scope:** Able to produce / supply the entire package.

**Partial scope:** Able to produce / supply one or more of the sub-packages.

All registrations are to be completed via ICN Gateway [BarossaOffshore.icn.org.au](http://BarossaOffshore.icn.org.au). Please contact the ICNNT if registration assistance is required. Contact details: (08) 8922 9422 or [admin@icnnt.org.au](mailto:admin@icnnt.org.au).

Project Website: [ConocoPhillips Australia](http://ConocoPhillips Australia)