

BAE SYSTEMS

Expression of Interest: Breathing Apparatus Stowage's

Hunter Class Frigate Program

Including:

HCFP – Breathing Apparatus Stowage's

Capability SOW & Questionnaire

BAE SYSTEMS – IN – CONFIDENCE

The information contained in this document remains the property of, and may not be reproduced in part or in whole except as authorised by, BAE Systems Australia Defence Pty Limited, ABN 51 006 870 846.

Acronyms and Definitions

BAE	BAE Systems Australia Limited
EOI	Expressions Of Interest
HCFP	Hunter Class Frigate Program
RAN	Royal Australian Navy
GCS-A	Global Combat Ship-Australia
T26	British Type 26 Global Combat Ship
RAP	Reconciliation Action Plan
AUD	Australian Dollars
EDBA	Extended Duration Breathing Apparatus
SABA	Supplier Air Breathing Apparatus
BA	Breathing Apparatus

Including Capability SOW / Questionnaire



Table of Contents

1.	SCOPE	4
2.	PRE-QUALIFICATION QUESTIONNAIRE	8

1. SCOPE

BAE Systems are seeking Expressions of Interest (EOI) to supply ships with breathing apparatus stowage's for the Hunter Class Frigate Program (HCFP).

BAE has recently been down selected to design and build the Royal Australian Navy's (RAN) future frigates.

The BAE Systems Future Frigate offering, also known as the Hunter Class GCS-A (Global Combat Ship – Australia) is a variant of the British Type 26 GCS (T26).

The Hunter Class Frigates will be built at the ASC Shipbuilding Facility at Osborne, Adelaide, SA.

The purpose of the Capability Questionnaire is to establish the feasibility of prospective industrial partners to provide breathing apparatus stowage's to BAE Systems for the HCFP.

The Hunter Class Program will require maximisation of local content in Australia.

Suppliers will be required to supply breathing apparatus stowage's with the below specifications:

One (1) ship set of equipment shall consist of the following items:

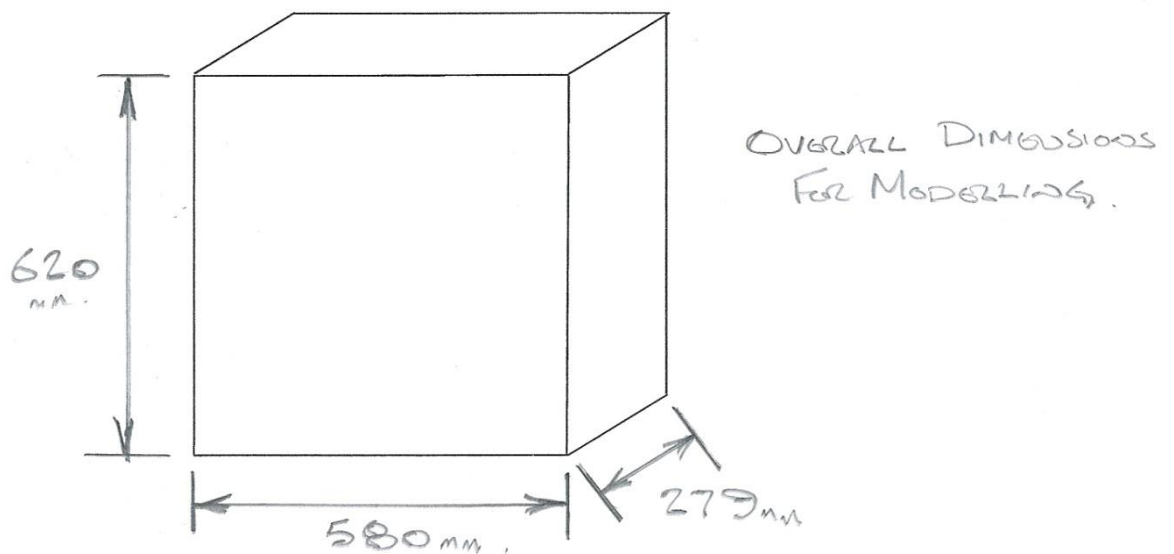
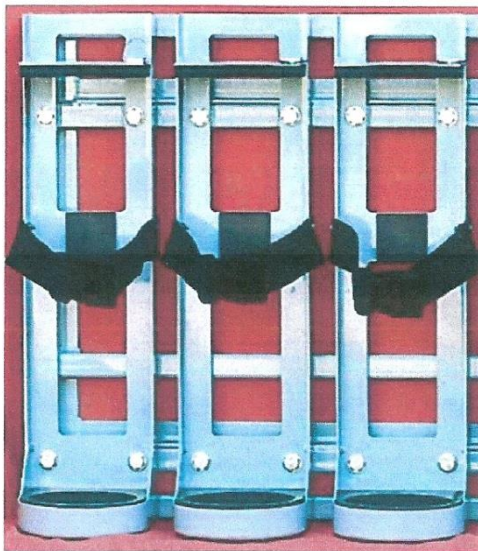
- 4 x EDDBA BA Charging Panel Stowage Rack (Stowage Rack Type 1 – BAE Part No. FFDC0090), which should provide stowage for a quantity of 3 EDDBA Breathing Cylinders.
 - The EDDBA BA Charging Panel Stowage Rack (Stowage Rack Type 1) will provide stowage for a quantity of 3 EDDBA Breathing Cylinders.
 - The size of the rack should not exceed 620mm x 580mm x 279mm.

EDBA BA Charging Panel Storage Rack

Storage Rack Type 1

Storage for qty 3 off EDBA breathing air cylinders.

Approximate size 620mm high x 580mm wide.



Including Capability SOW / Questionnaire



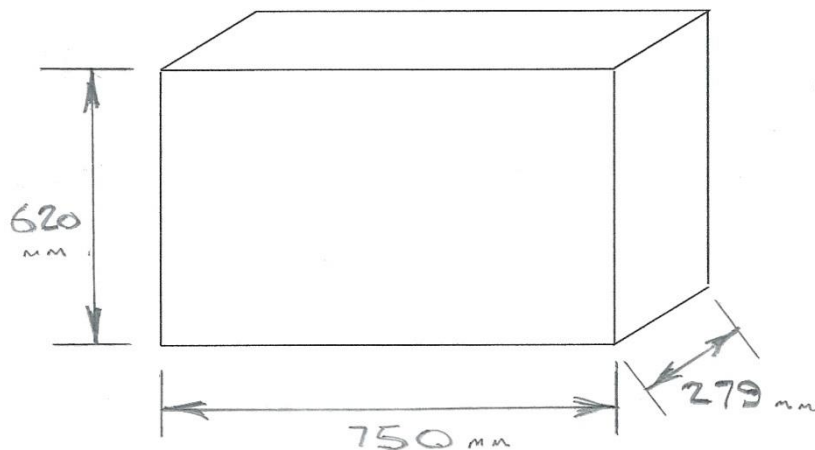
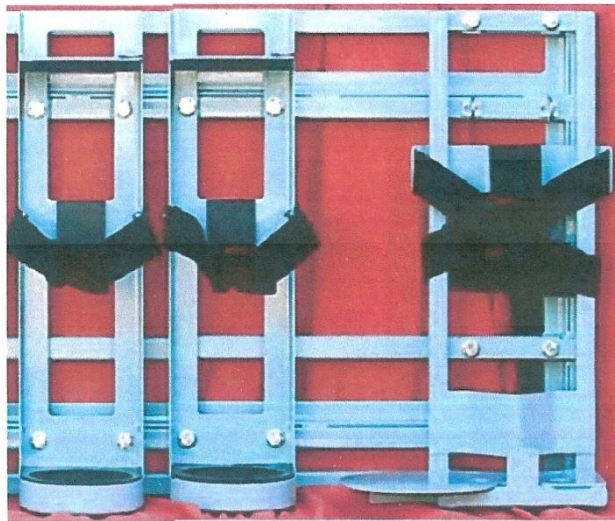
- 1 x EDDBA/SABA BA Charging Panel Stowage Rack (Stowage Rack Type 2 – BAE Part No. FFDC0093), which should provide stowage for a quantity of 2 EDDBA Breathing Cylinders and 1 off SABA Cylinder.
 - The EDDBA/SABA BA Charging Panel Stowage Rack (Stowage Rack Type 2) will provide stowage for a quantity of 2 EDDBA Breathing Cylinders and 1 off SABA Cylinder.
 - The size of the rack should not exceed 620mm x 750mm x 279mm.

EDBA/SABA BA Charging Panel Stowage Rack

Stowage Rack Type 2

Stowage for qty 2 off EDBA breathing air cylinders & 1 off SABA cylinder.

Approximate size 620mm high x 750mm wide.



OVERALL DIMENSIONS
FOR MODELLING.

Note: There will be shock and vibration standards to be met that will be nominated at time of RFQ release.

2. PRE-QUALIFICATION QUESTIONNAIRE

1. Provide full details of previous major defence, maritime or commercial projects in which your company has delivered breathing apparatus stowage's.
2. Provide details of the company's management organisation structure.
3. Are you an Australian-owned company?
4. Are you an Indigenous company?
 - a. If so, how many Indigenous employees do you have?
 - b. Do you have a Reconciliation Action Plan (RAP) in place?
5. How many full time (permanent) employees are currently employed by your company?
6. How many full time (permanent) employees are indigenous?
7. Provide your annual turnover in Australian Dollars (AUD).
8. State acquired company certification and accreditations.
9. Have you worked on defence contracts before?
10. Do you have previous breathing apparatus stowage's experience in Australia?
11. What State/s do you have these capabilities in?
12. Stipulate any further competitive discriminators that have not been identified in the answers to previous questions.

Closing date for Expression of interest:**4.00 p.m. Friday 31 May 2019**